



CLINICAL DATA INTERCHANGE STANDARDS CONSORTIUM

*The CDISC Vision is to Inform Patient Care & Safety  
Through Higher Quality Medical Research*

A decorative graphic consisting of several overlapping, wavy lines in shades of blue and green that flow from the left side of the page towards the right. These lines terminate in a horizontal bar with a diagonal hatched pattern in blue and green.

**Strength** *through Collaboration*

# Role of CDISC and IHE in EHR-enabled Research

Landen Bain, Clinical Data Interchange Standards Consortium

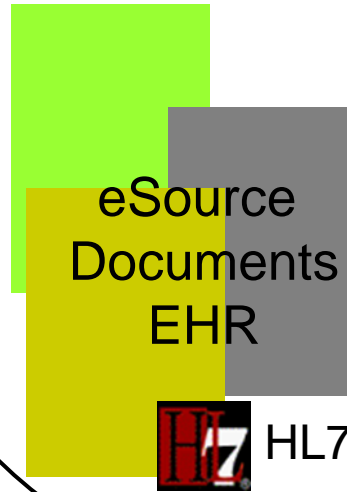


*Strength through Collaboration*

# Synergistic Standards Available

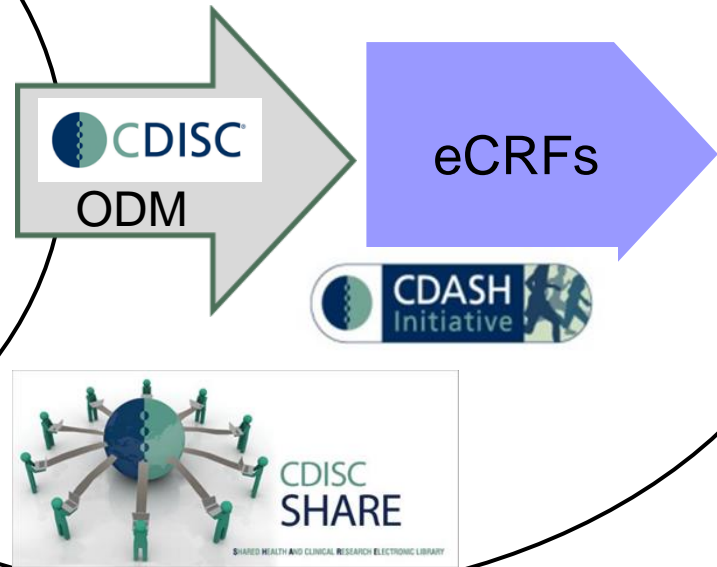


**Healthcare Delivery**



**iHE**  
Integration Profiles  
(e.g. RFD)

**Medical Research**

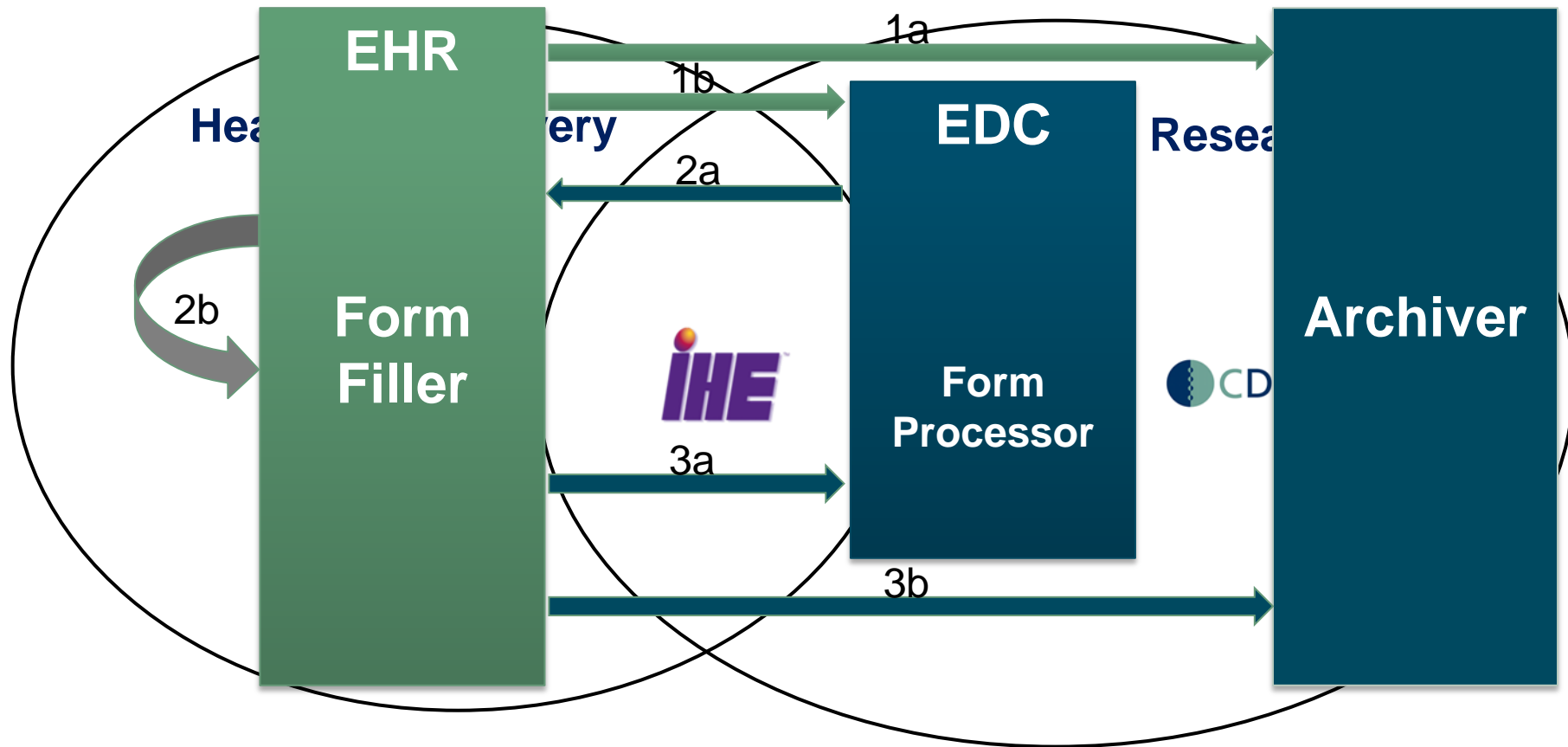


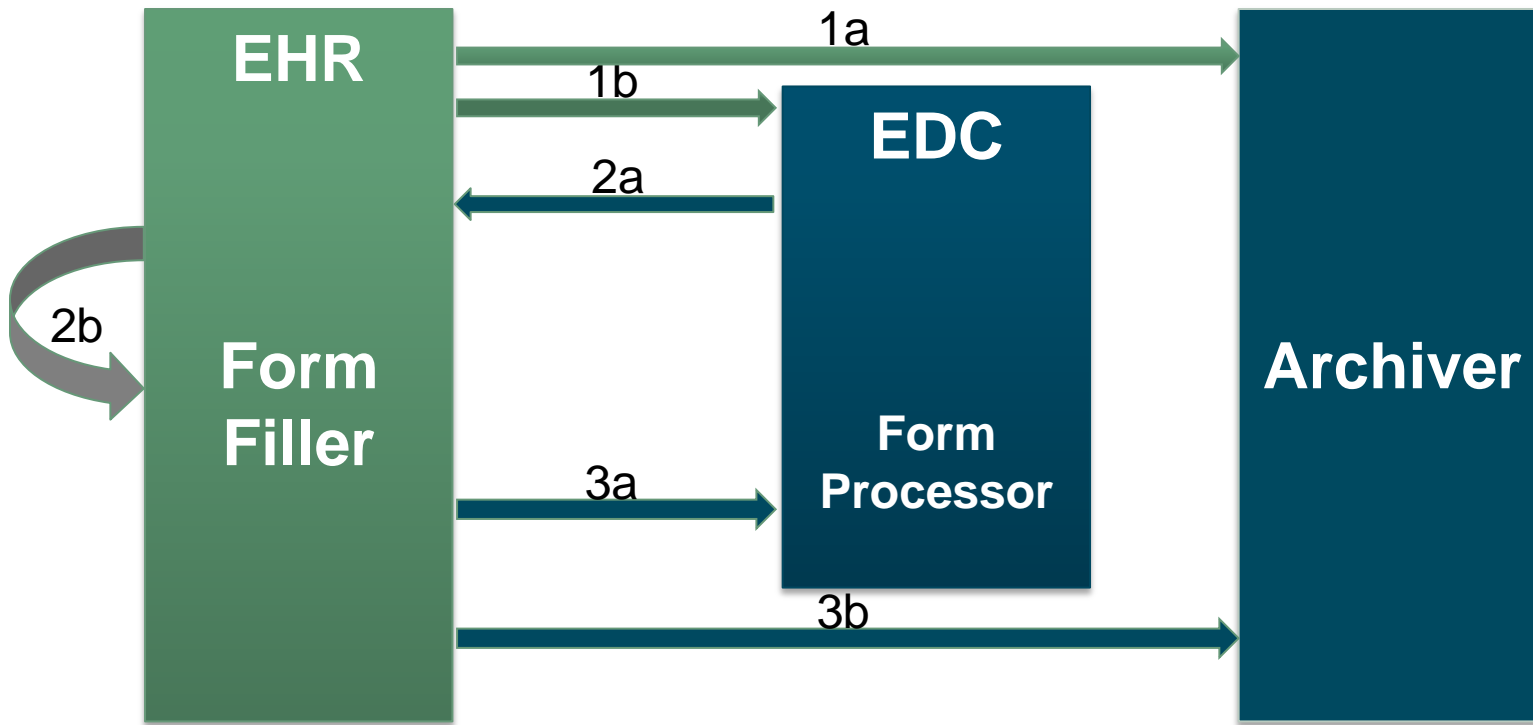
**eArchive at Clinical Site**



2014

# Synergistic Standards Available

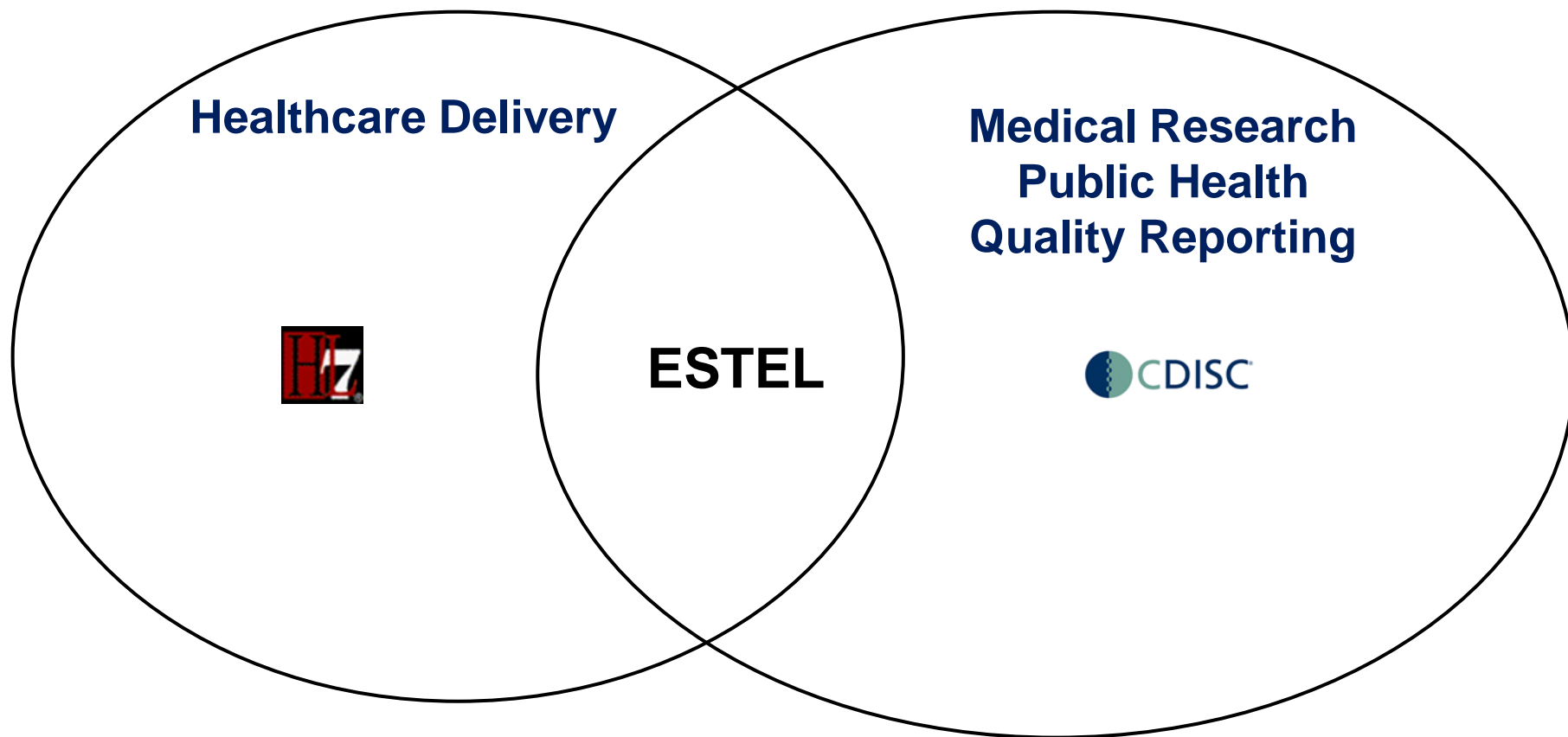




Request for form is done from within EHR

- 1a) Archive source doc (@UCSF data will come out of Clarity not Epic directly)
- 1b) Request form + SDC (allows skip/branch logic w/in form, CRD doesn't support)
- 2a) Response pre-population form
- 2b) Form displayed, completed
- 3a) Submit form
- 3b) Archive form

# Synergistic Standards Available



**Healthcare Delivery**



**ESTEL**

**Medical Research  
Public Health  
Quality Reporting**

